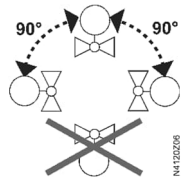
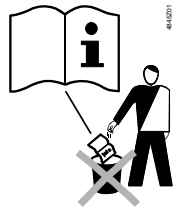


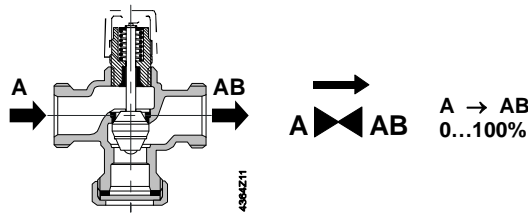
- de** Montageanleitung
- en** Mounting instructions
- fr** Instructions de montage
- sv** Monteringsinstruktion
- nl** Montage-aanwijzing
- it** Istruzioni di montaggio
- fi** Asennusohje
- es** Instrucciones de montaje
- da** Monteringsvejledning
- pl** Instrukcja montażu
- cz** Montážní návod
- hu** Szerelési útmutató
- el** Οδηγίες εγκατάστασης
- tr** Montaj talimatları
- zh** 安裝指導

- Ventile PN16**
- Valves PN16**
- Vannes PN16**
- Ventiler PN16**
- Afsluiters PN16**
- Valvole PN16**
- Venttiilit PN16**
- Válvulas PN16**
- Ventiler PN16**
- Zawory PN16**
- Ventily PN16**
- Szelepek PN16**
- Βάνες PN16**
- Valves PN16**
- 阀门 PN16**

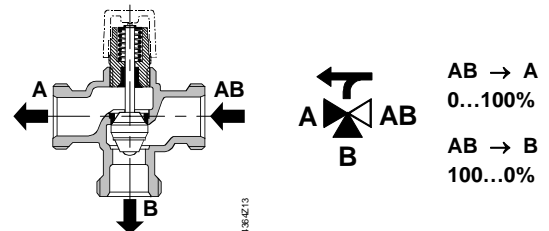
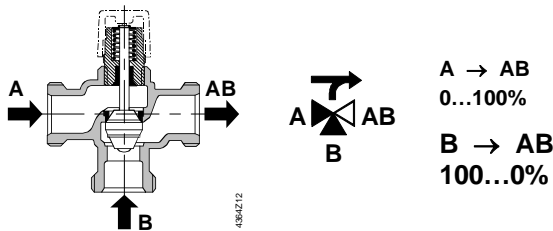
## VVG44.. VXG44..



**VVG44..**

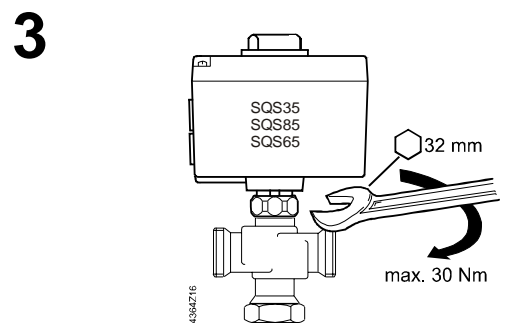
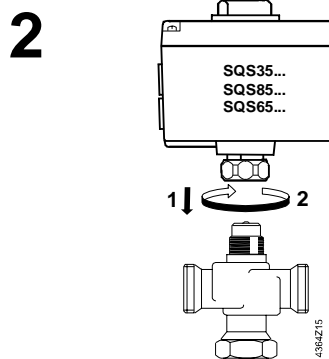
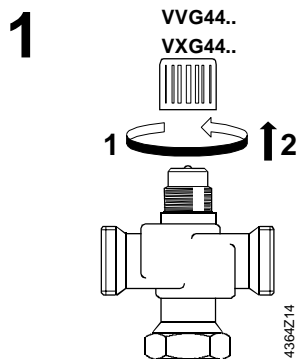


**VXG44..**

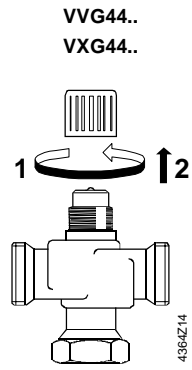


**V..G44.. + SQS.. → 1...3**

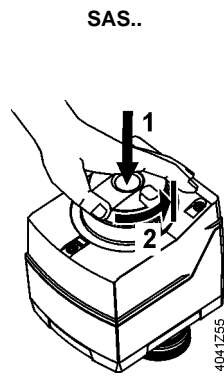
**V..G44.. + SAS.. → 4...6**



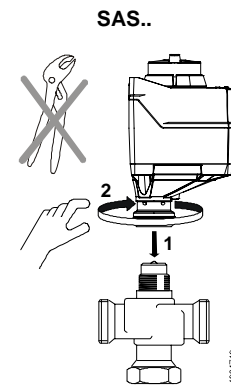
4



5



6



VVG44..		DN	B	G	L1	L2	L3	H1	H2					
			[mm]	["]	[mm]	[mm]	[mm]	[mm]	[mm]					
<p>4394N07</p>		VVG44.15-0.25	15	8.5	G1B	100	50	58	45	55	0.65			
		VVG44.15-0.4							49	59	0.67			
		VVG44.15-0.63												
		VVG44.15-1												
		VVG44.15-1.6												
		VVG44.15-2.5												
VVG44.15-4	12	53	63	0.77										
VVG44.20-6.3	20				9	G1½B	59	68	78	1.00				
VVG44.25-10	25	11	G1½B	105	52.5	62.5	71	81	1.48					
VVG44.32-16	32									G2B	63.5	77.5	87.5	1.95
VVG44.40-25	40									G2¼B	130	65	76	80.5

VXG44..		DN	B	G	L1	L2	L3	H1	H2				
			[mm]	["]	[mm]	[mm]	[mm]	[mm]	[mm]				
<p>4445N01</p>		VXG44.15-0.25	15	8.5	G1B	100	50	50	45	55	0.55		
		VXG44.15-0.4							49	59	0.59		
		VXG44.15-0.63											
		VXG44.15-1											
		VXG44.15-1.6											
		VXG44.15-2.5											
		VXG44.15-4	12	53	63	0.67							
		VXG44.20-6.3	20				9	G1½B	68	78	0.90		
		VXG44.25-10	25	11	G1½B	105	52.5	52.5	71	81	1.30		
		VXG44.32-16	32									G2B	77.5
VXG44.40-25	40	G2¼B	130									65	65

ALG..		VVG44.15...		VXG44.15...	G ["]	Rp ["]
<p>4363W02</p>	ALG152	VVG44.20-6.3	ALG203	VXG44.20-6.3	G1½	Rp¾
	ALG202	VVG44.25-10	ALG253	VXG44.25-10	G1½	Rp1
	ALG252	VVG44.15...	ALG153	VXG44.15...	G1	Rp½